
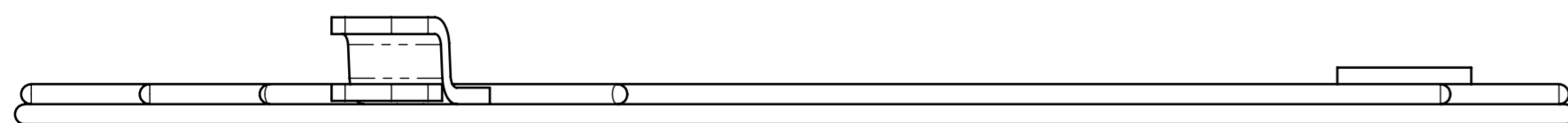
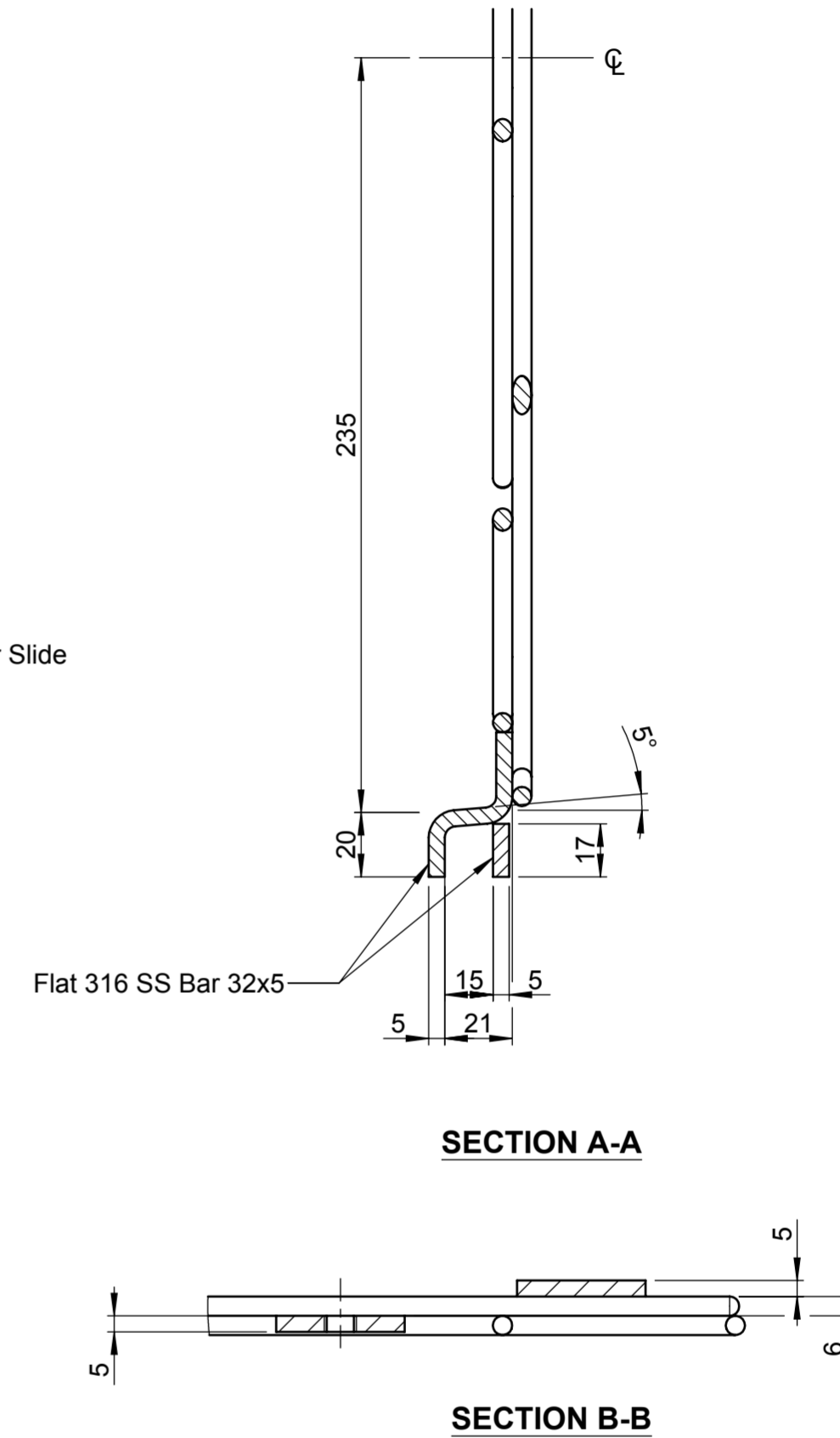
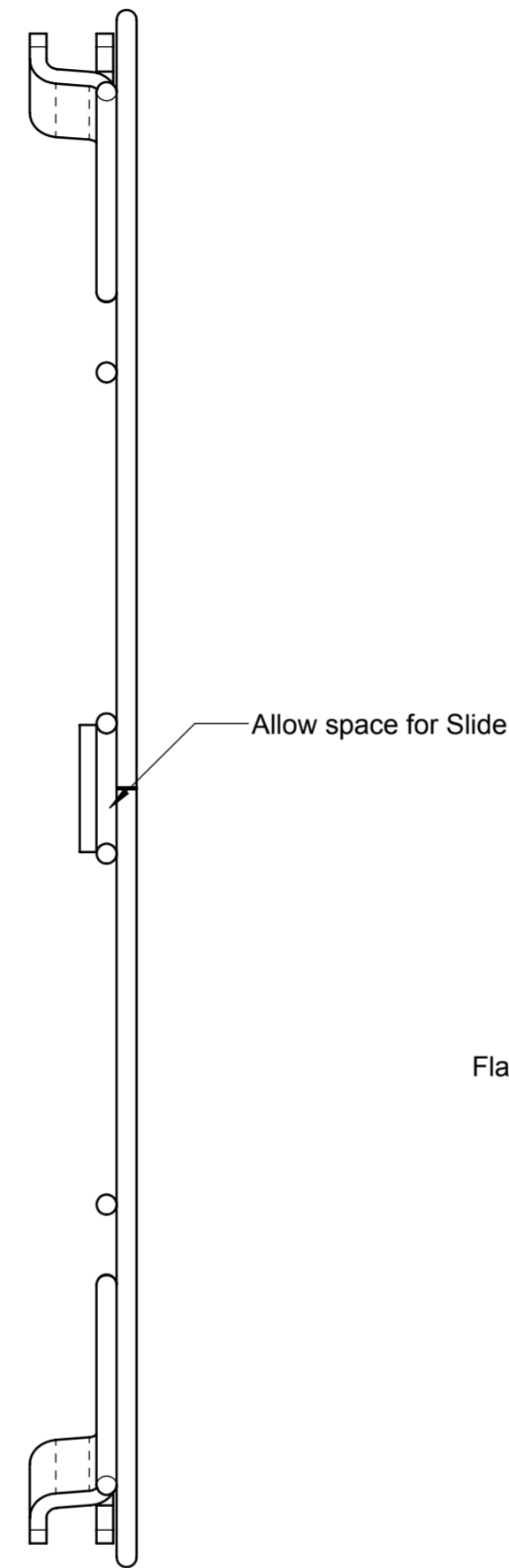
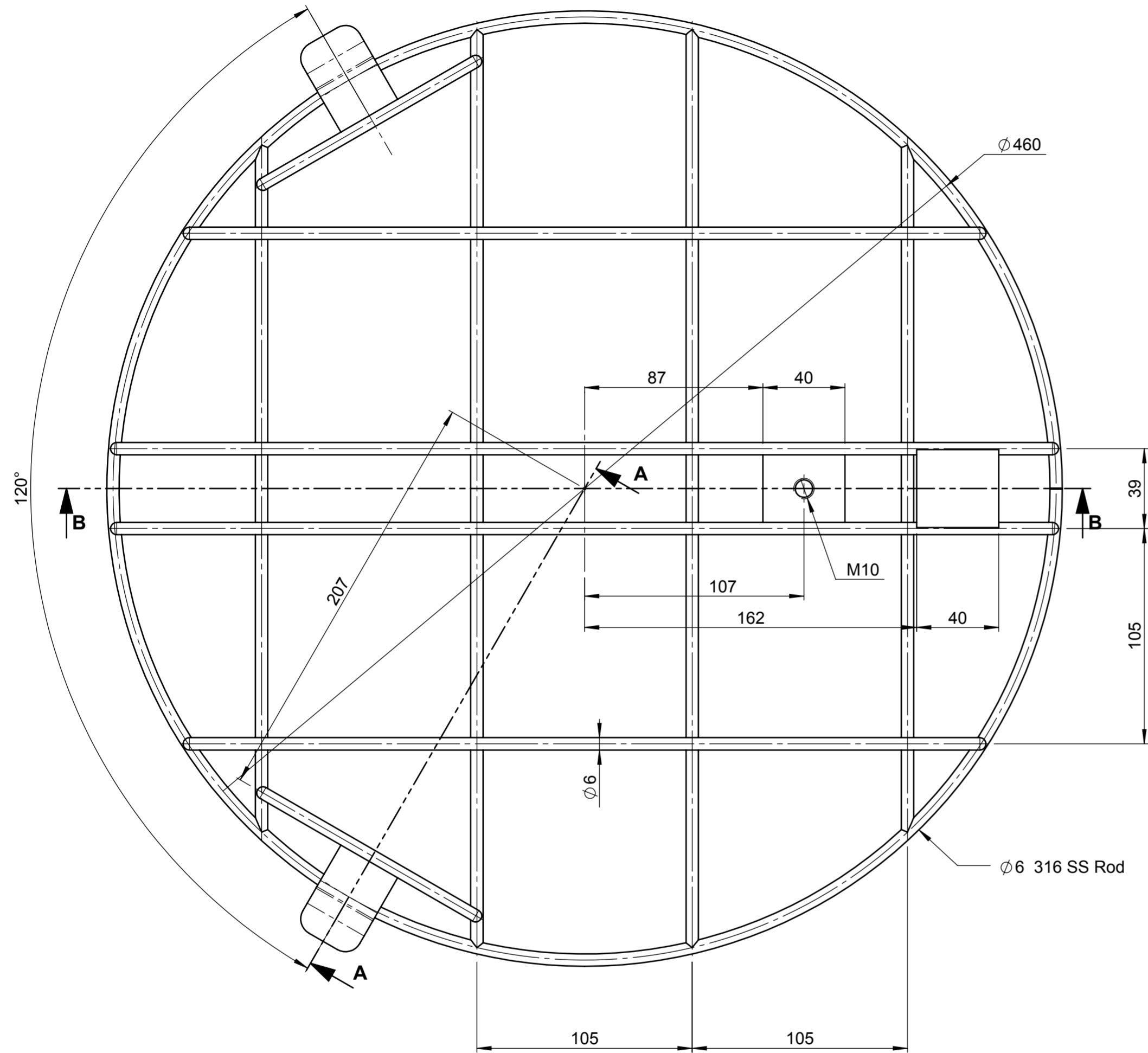


M10x20 SS Button Head Capscrew
M10 SS Spring Washer and
M10 SS Flat Washer

Grille 500-SS

REV.	DESCRIPTION	ECN	DATE	SIG
Revision Table				
Third Angle Projection Do Not Scale Drawing		© Copyright Humes Pipeline Systems Ltd		
Humes Pipeline Systems Ltd				
 Private Bag 12 285 Penrose, Auckland, 1642 Ph: + (64) 9 571 3900 Fx: + (64) 9 571 3901 www.humes.co.nz				
Title:				
Manhole Safety Grilles JB Safety Grille 500 316SS				
Roger Curl Design Ltd MECHANICAL DESIGN SERVICE 115A STREDWICK DRIVE TORBAY AUCKLAND. Ph/Fx: 09 473 0018 Email: curley@xtra.co.nz		Drawn: <i>R. Curl</i> Checked:	Date: 21st Dec 2011 Approved:	
		Scale: 1:2	Drg No: SHEET 1 OF 3	
		Sheet Size: A2	48503/1	



Notes:
 Remove all burrs and sharp edges
 Material: Noted
 Finish: Natural

REV.	DESCRIPTION	ECN	DATE	SIG
Revision Table				

Third Angle Projection
 Do Not Scale Drawing

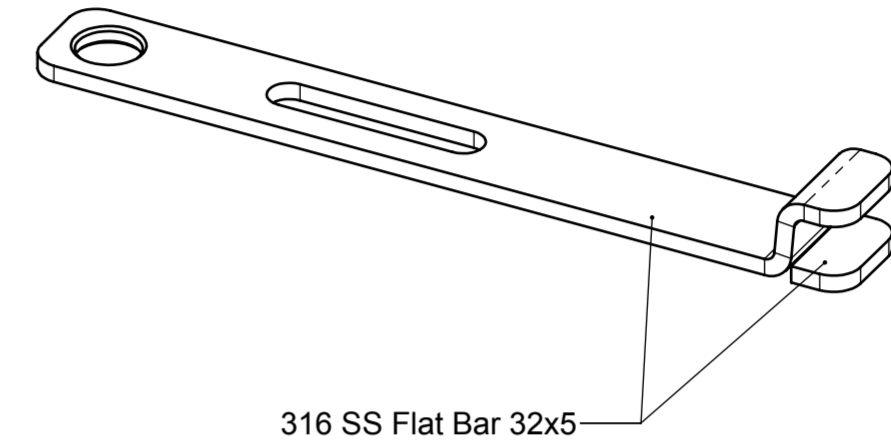
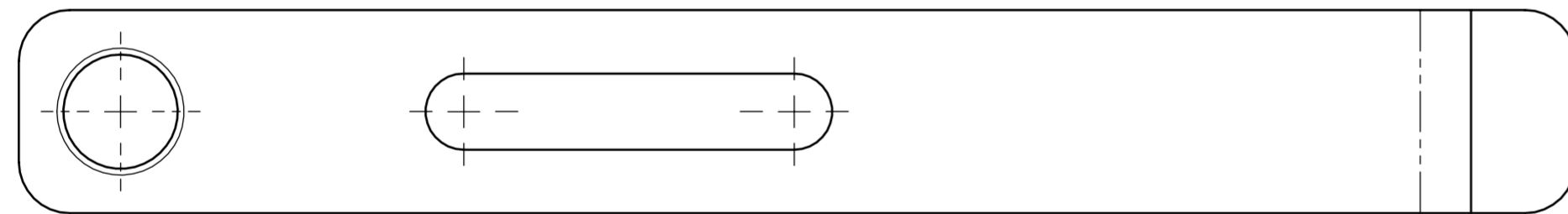
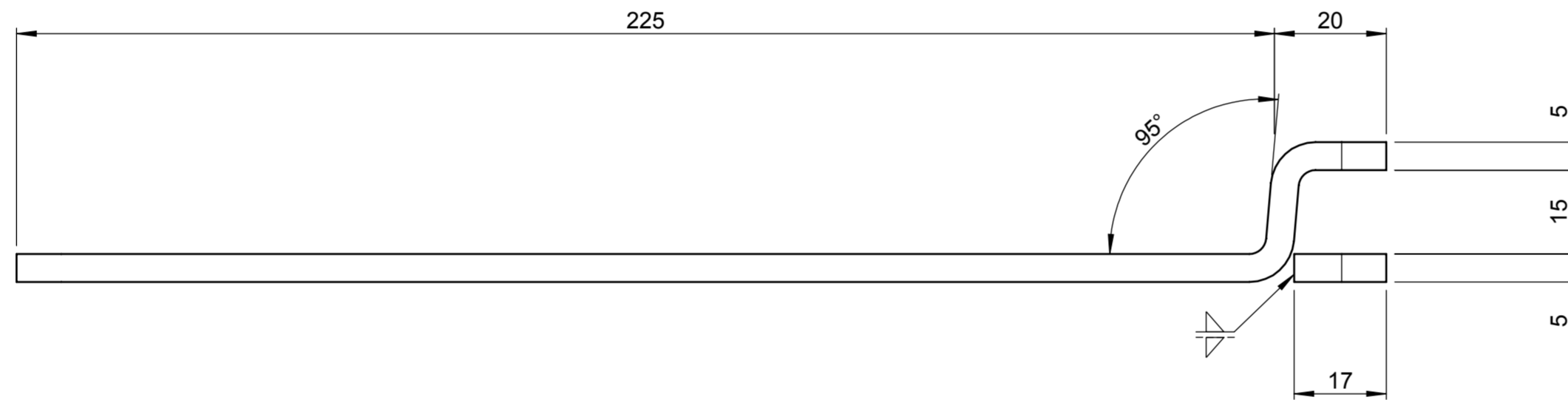
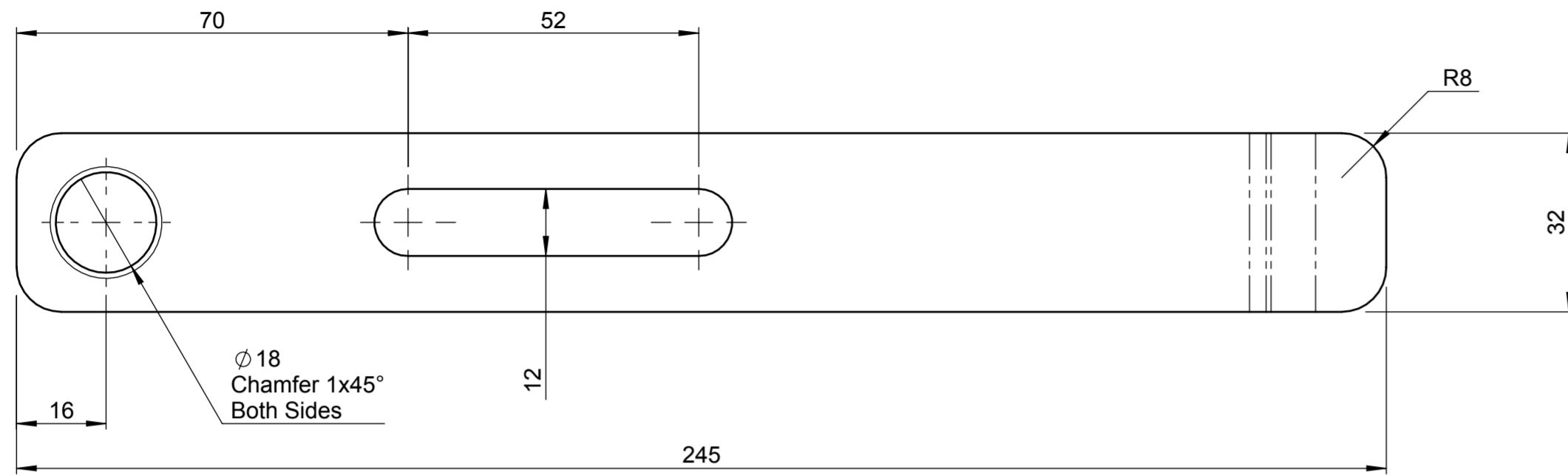
© Copyright Humes Pipeline Systems Ltd

Humes Pipeline Systems Ltd

Private Bag 12 285
 Penrose, Auckland, 1642
 Ph: + (64) 9 571 3900
 Fx: + (64) 9 571 3901
 www.humes.co.nz

Title:
Manhole Safety Grilles
JB Safety Grille 500 316SS

Roger Curl Design Ltd MECHANICAL DESIGN SERVICE 115A STREDWICK DRIVE TORBAY AUCKLAND. Ph/Fx: 09 473 0018 Email: curley@xtra.co.nz	Drawn: <i>R. Curl</i> Checked: Scale: 1:2 Sheet Size: A2	Date: 21st Dec 2011 Approved: Drg No: SHEET 2 OF 3 48503/2
--	---	---



Slide-SS



Notes:
 Remove all burrs and sharp edges
 Material: Noted
 Finish: Natural

REV.	DESCRIPTION	ECN	DATE	SIG
Revision Table				
Third Angle Projection Do Not Scale Drawing		© Copyright Humes Pipeline Systems Ltd		
Humes Pipeline Systems Ltd				
 Private Bag 12 285 Penrose, Auckland, 1642 Ph: + (64) 9 571 3900 Fx: + (64) 9 571 3901 www.humes.co.nz				
Title: Manhole Safety Grilles JB Safety Grille 500 316SS				
Roger Curl Design Ltd MECHANICAL DESIGN SERVICE 115A STREDWICK DRIVE TORBAY AUCKLAND. Ph/Fx: 09 473 0018 Email: curley@xtra.co.nz		Drawn: <i>R Curl</i> Checked: _____ Scale: 1:1 Sheet Size: A2	Date: 21st Dec 2011 Approved: _____ Drg No: SHEET 3 OF 3 48503/3	

