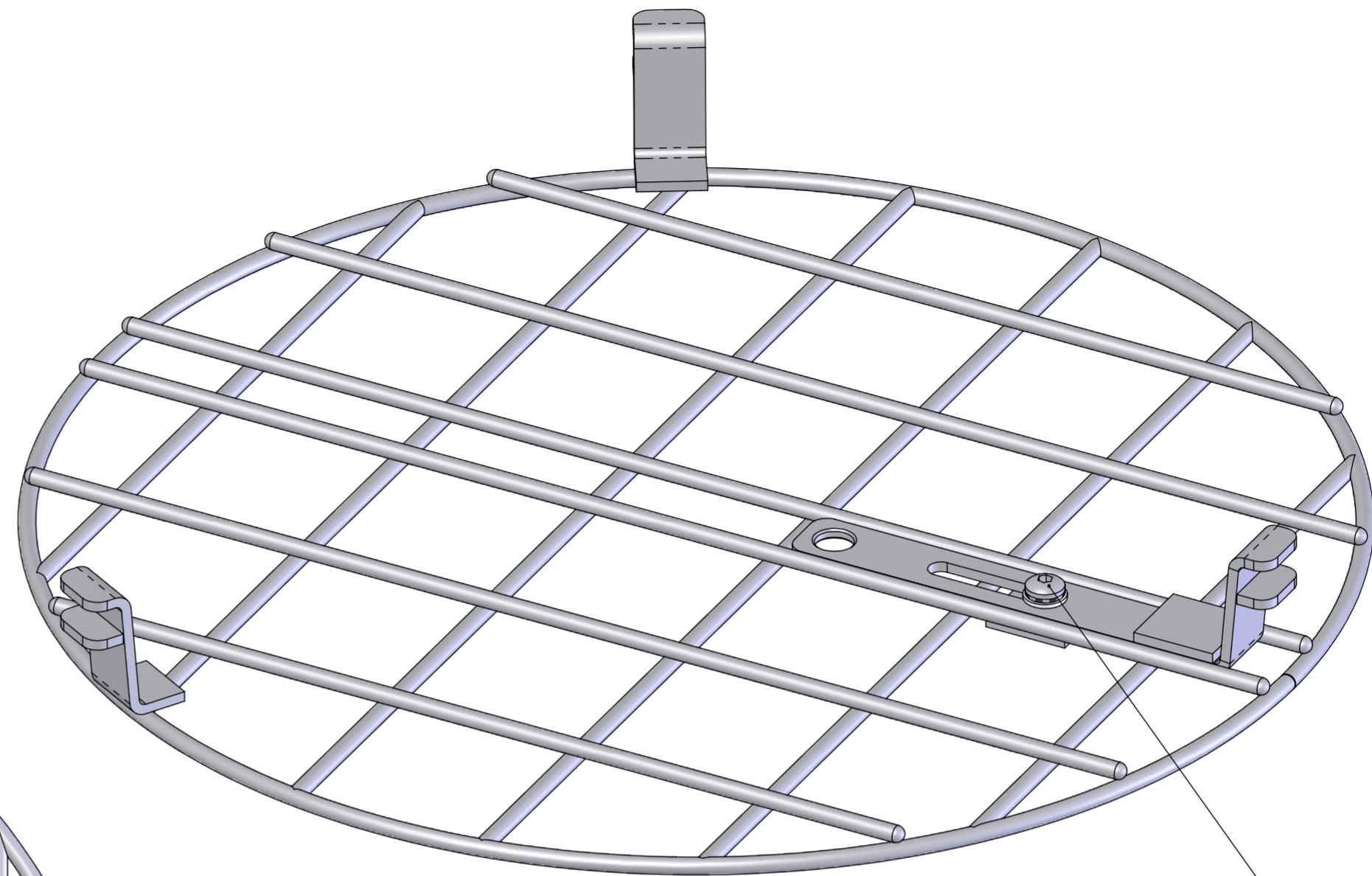


Grille 610-MS



M10x20 SS Button Head Capscrew
M10 SS Spring Washer and
M10 SS Flat Washer

REV.	DESCRIPTION	ECN	DATE	SIG
------	-------------	-----	------	-----

Revision Table

Third Angle Projection
Do Not Scale Drawing

© Copyright Humes Pipeline Systems Ltd

Humes Pipeline Systems Ltd

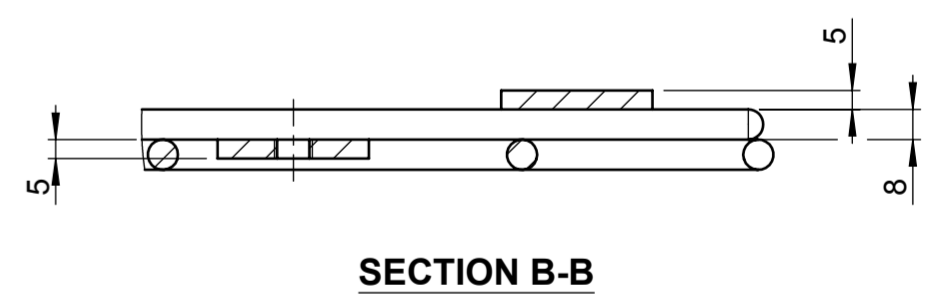
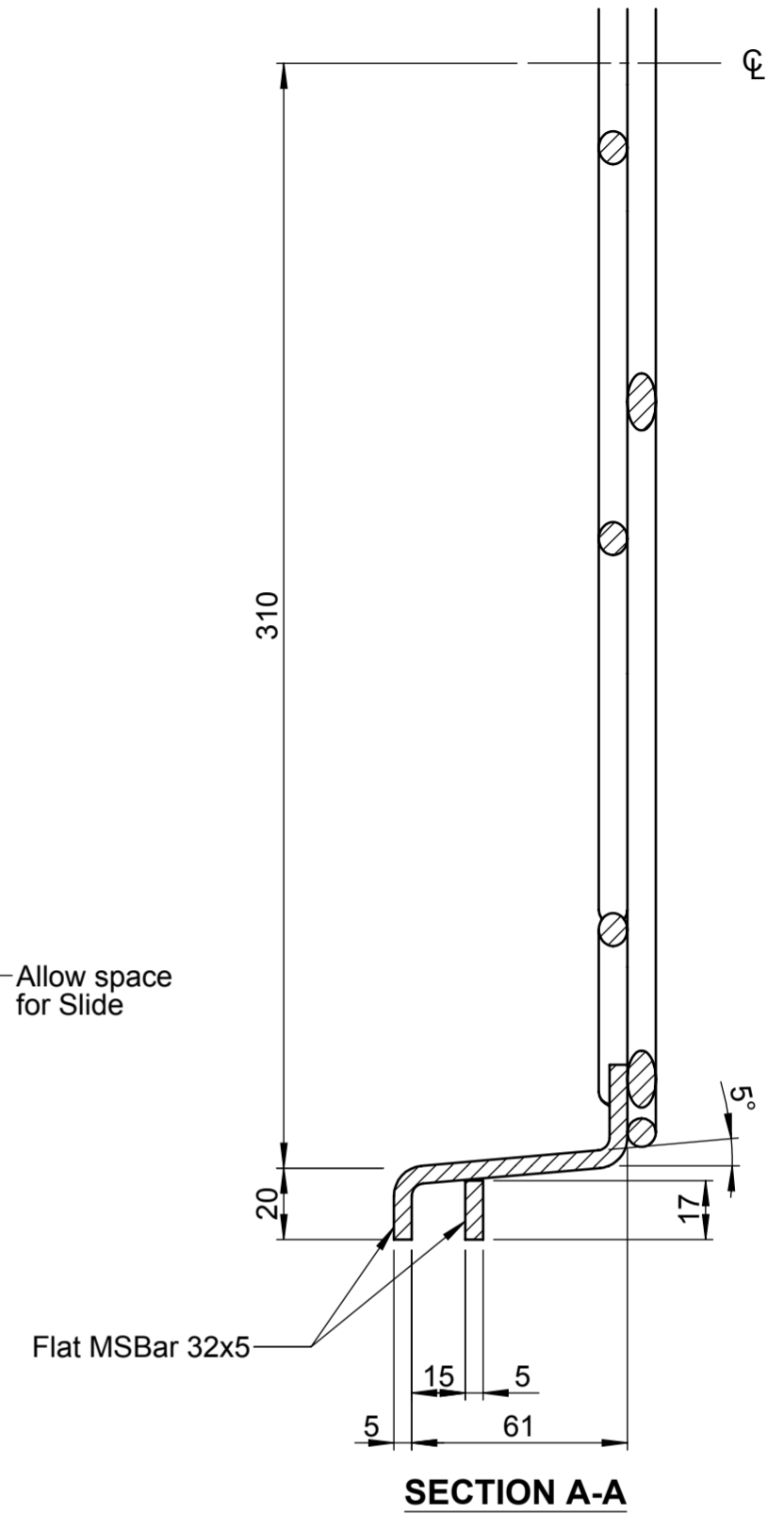
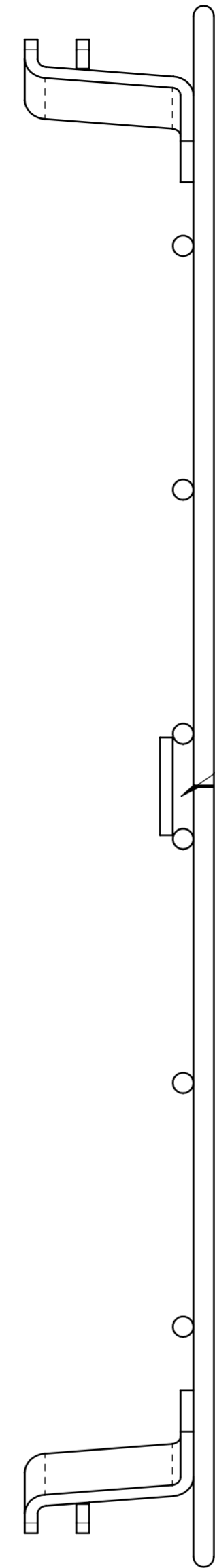
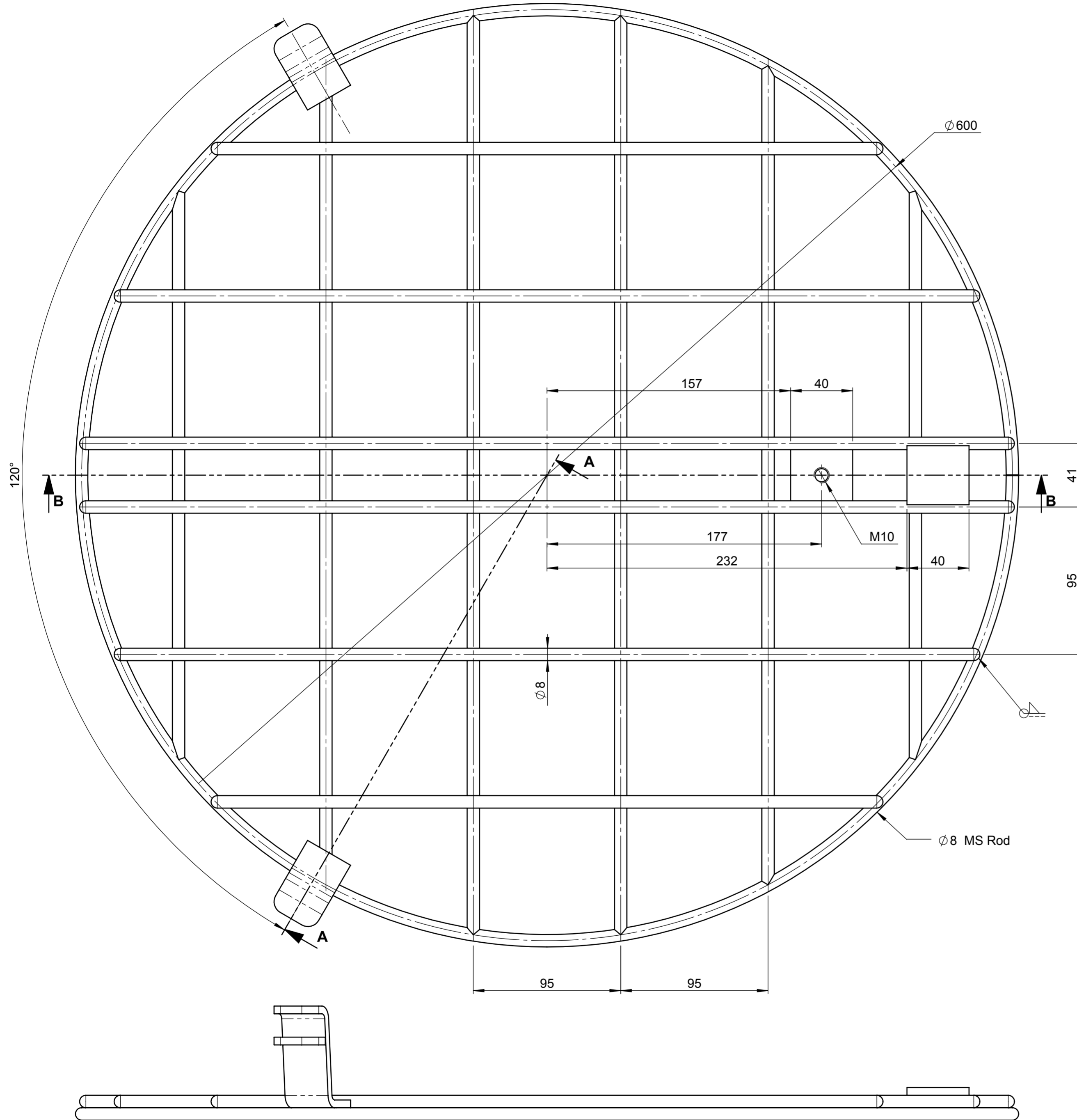


Private Bag 12 285
Penrose, Auckland, 1642
Ph: + (64) 9 571 3900
Fx: + (64) 9 571 3901
www.humes.co.nz


Title:
Manhole Safety Grilles
JB Safety Grille 610 Galvanised

Roger Curl Design Ltd	Drawn: <i>R Curl</i>	Date: 21st Dec 2011
MECHANICAL DESIGN SERVICE	Checked:	Approved:
115A STREDWICK DRIVE TORBAY AUCKLAND. Ph/Fx: 09 473 0018 Email: curley@xtra.co.nz	Scale: 1:2.5	Org No: SHEET 1 OF 3
	Sheet Size: A2	48504/1

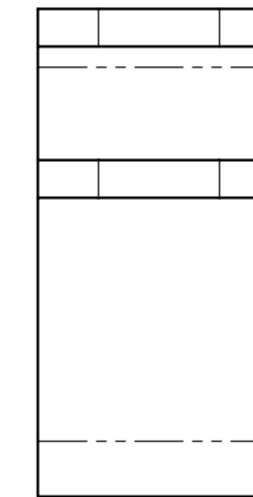
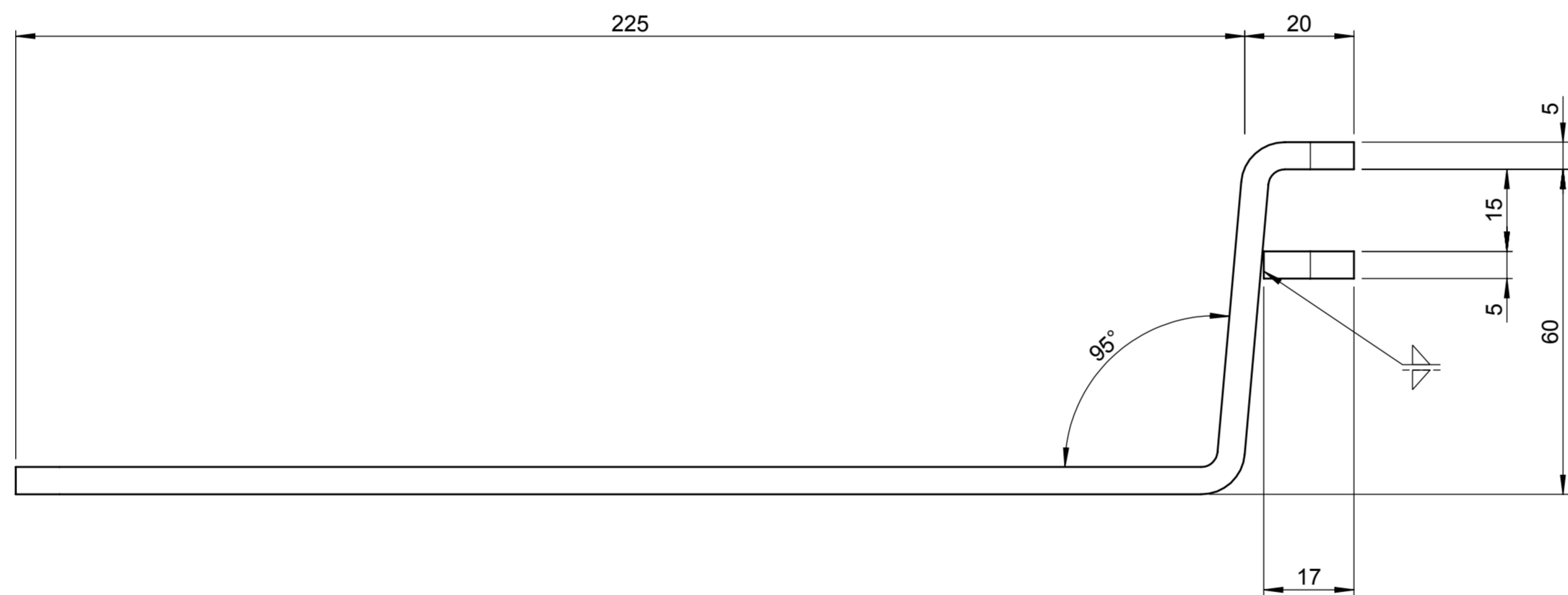
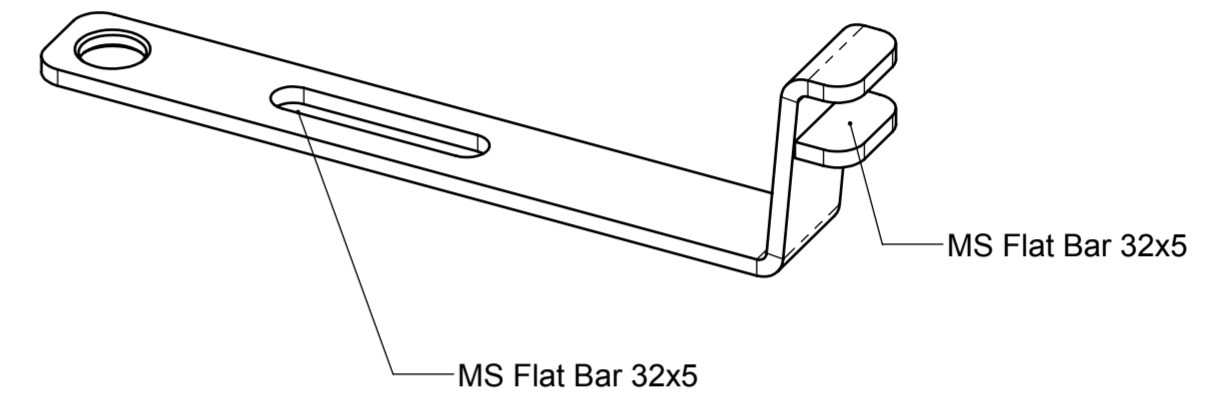
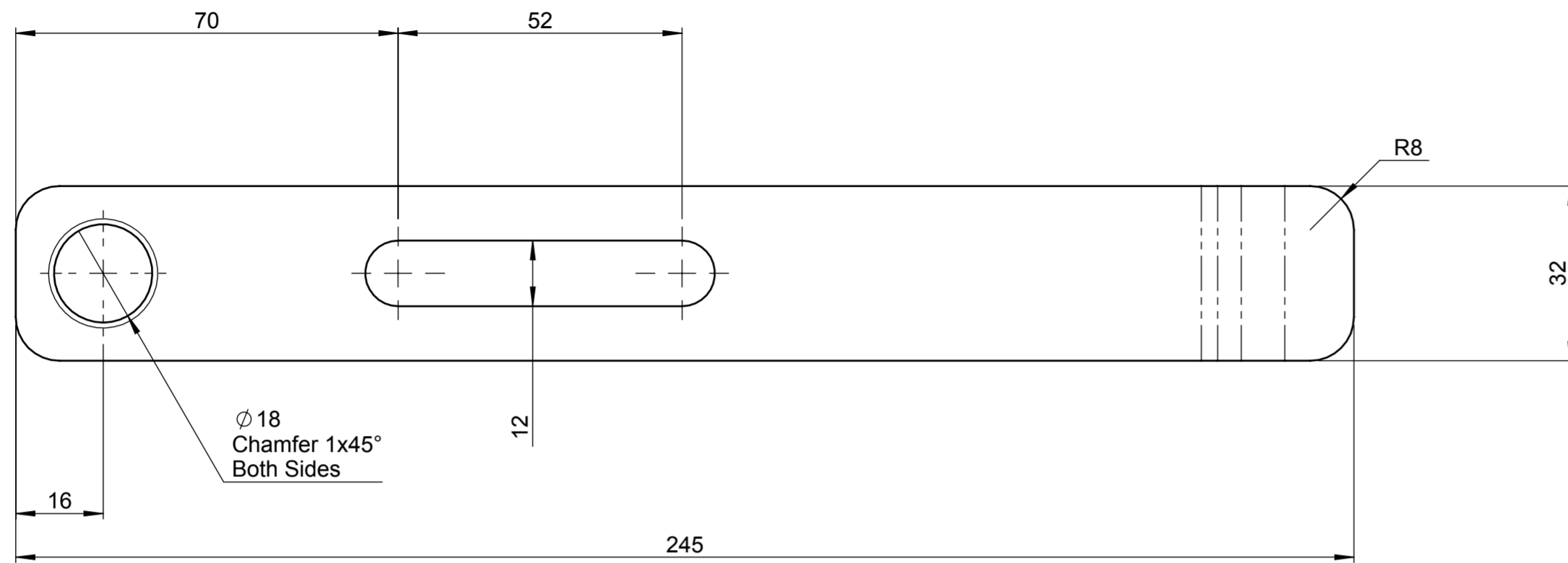




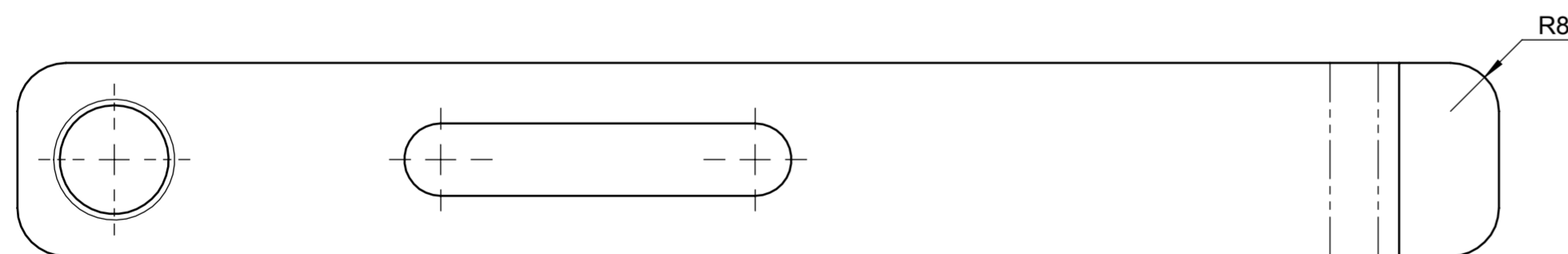
Notes:
 Remove all burrs and sharp edges
 Material: Noted
 Finish: Hot Dip Galvanise

REV.	DESCRIPTION	ECN	DATE	SIG
Revision Table				
Third Angle Projection Do Not Scale Drawing		© Copyright Humes Pipeline Systems Ltd		
Humes Pipeline Systems Ltd				
 Private Bag 12 285 Penrose, Auckland, 1642 Ph: + (64) 9 571 3900 Fx: + (64) 9 571 3901 www.humes.co.nz				
Title:				
Manhole Safety Grilles JB Safety Grille 610 Galvanised				
Roger Curl Design Ltd MECHANICAL DESIGN SERVICE 115A STREDWICK DRIVE TORBAY AUCKLAND. Ph/Fx: 09 473 0018 Email: curley@xtra.co.nz		Drawn: <i>R Curl</i> Checked: _____ Scale: 1:2 Sheet Size: A2	Date: 21st Dec 2011 Approved: _____ Drg No: SHEET 2 OF 3 48504/2	






Slide-MS 600



Notes:
 Remove all burrs and sharp edges
 Material: Noted
 Finish: Hot Dip Galvanise

REV.	DESCRIPTION	ECN	DATE	SIG
Revision Table				
Third Angle Projection Do Not Scale Drawing		© Copyright Humes Pipeline Systems Ltd		
Humes Pipeline Systems Ltd				
 Private Bag 12 285 Penrose, Auckland, 1642 Ph: + (64) 9 571 3900 Fx: + (64) 9 571 3901 www.humes.co.nz				
Title:				
Manhole Safety Grilles JB Safety Grille 610 Galvanised				
Roger Curl Design Ltd MECHANICAL DESIGN SERVICE 115A STREDWICK DRIVE TORBAY AUCKLAND. Ph/Fx: 09 473 0018 Email: curley@xtra.co.nz		Drawn: <i>R Curl</i> Checked: _____ Scale: 1:1 Sheet Size: A2	Date: 21st Dec 2011 Approved: _____ Drg No: SHEET 3 OF 3 48504/3	