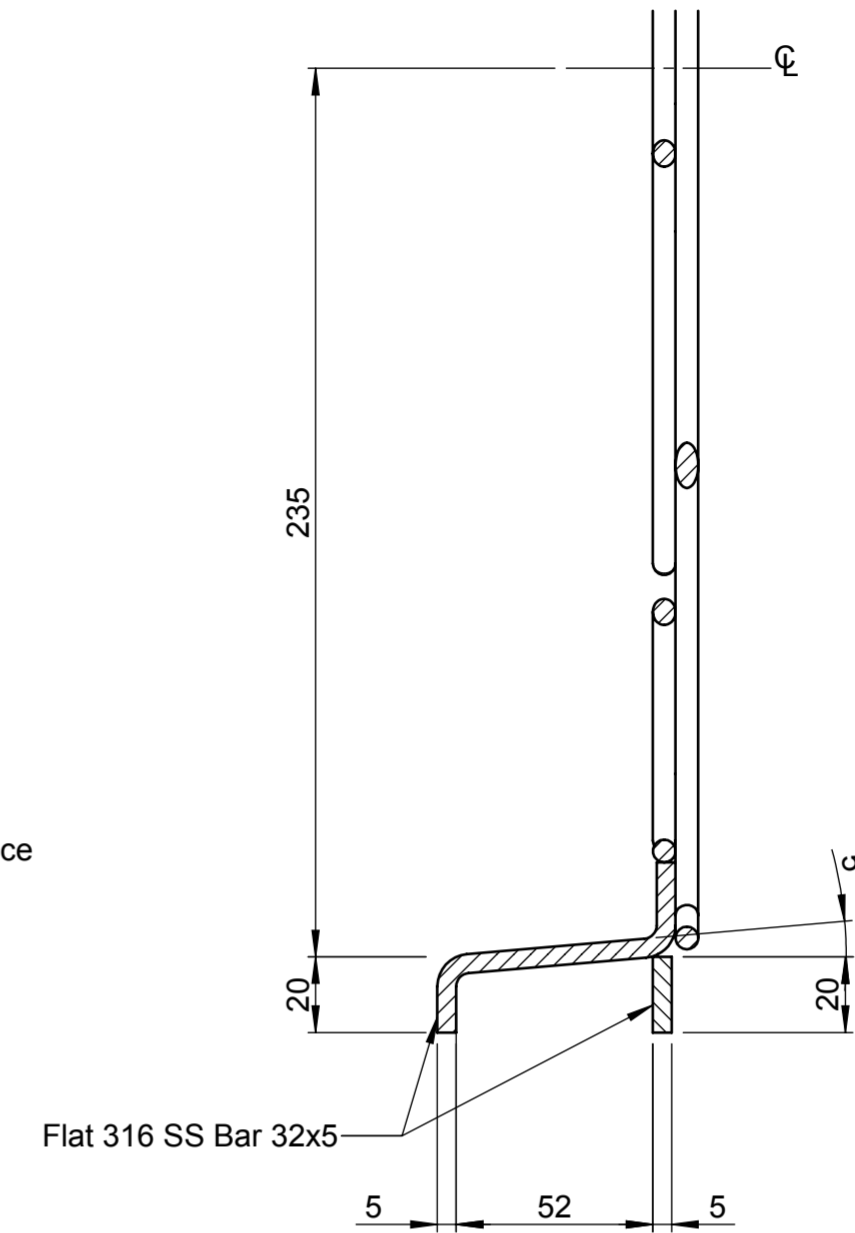
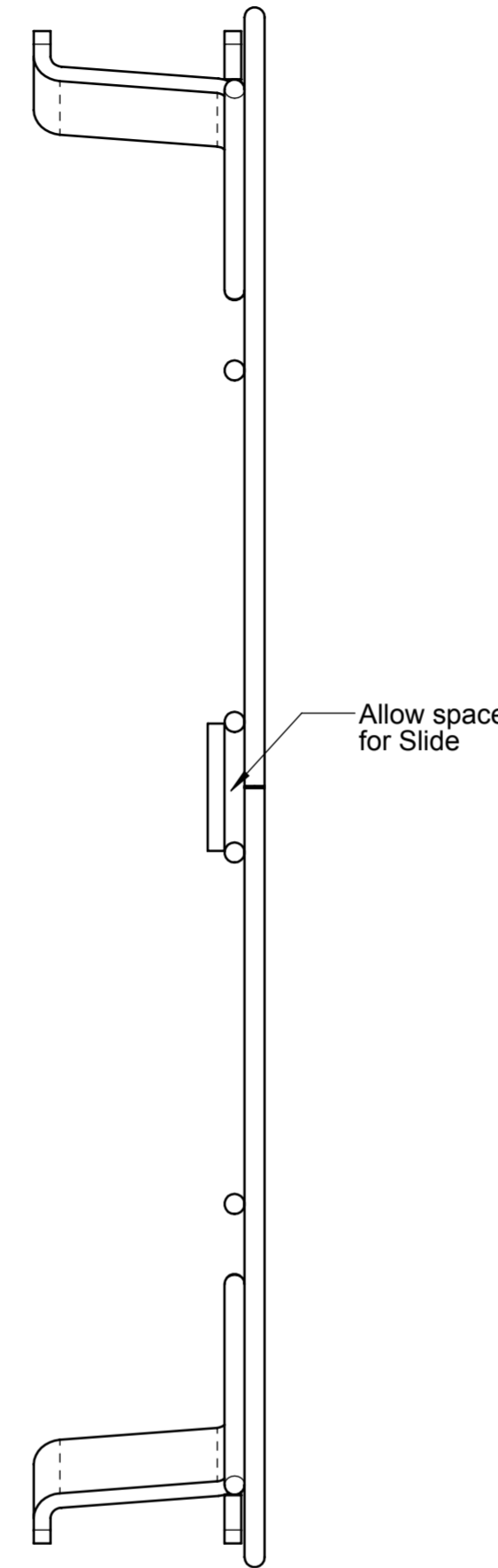
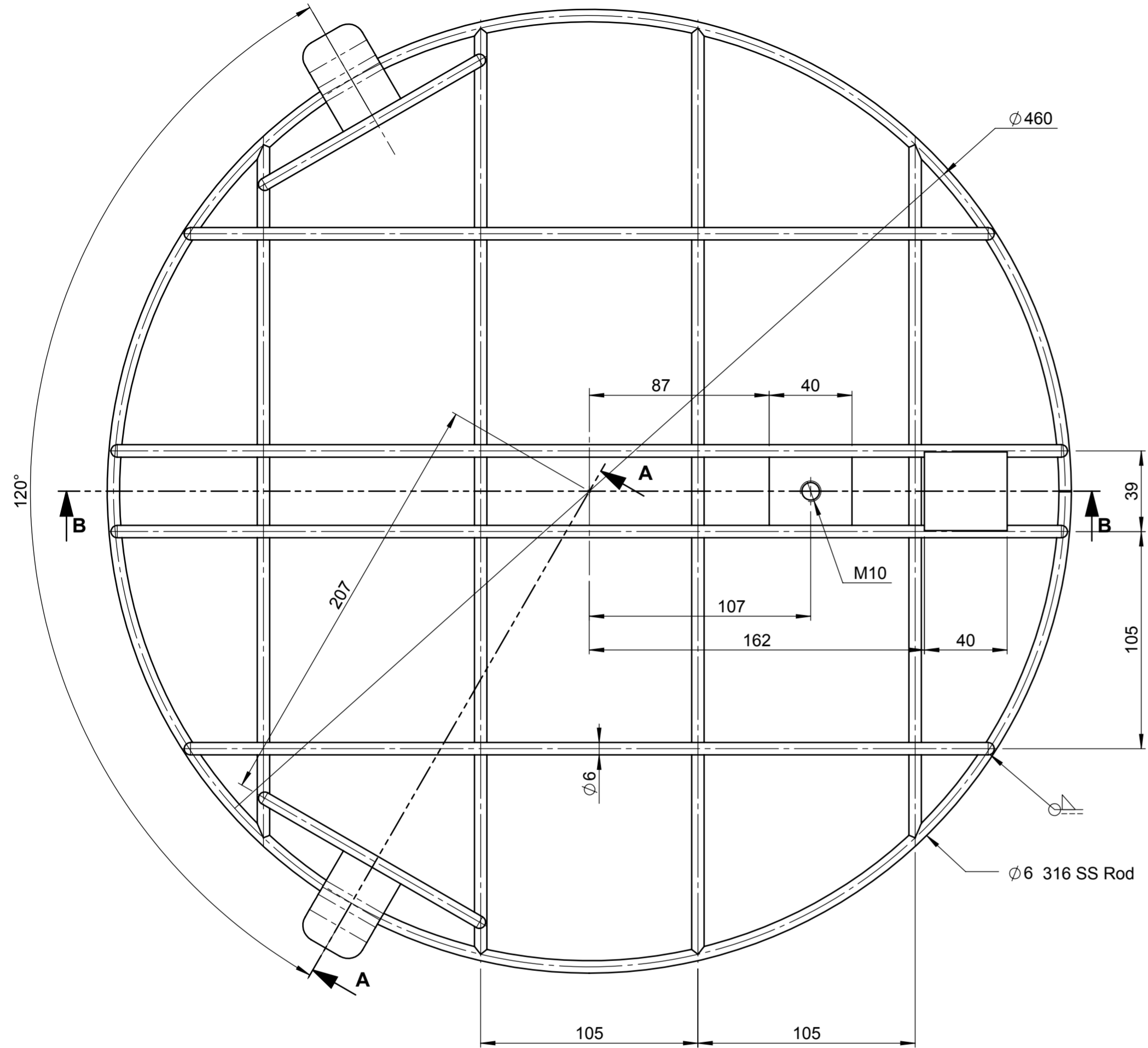


M10x20 SS Button Head Capscrew
 M10 SS Spring Washer and
 M10 SS Flat Washer

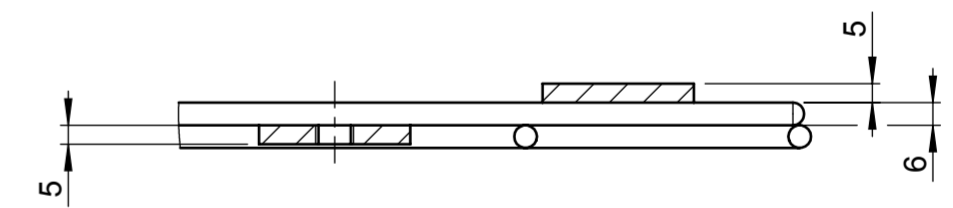
Grille 500-SS Spigotted



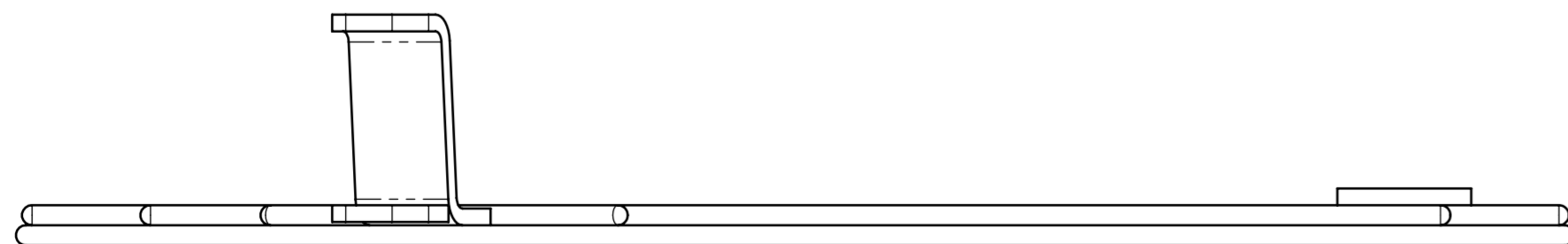
REV.	DESCRIPTION	ECN	DATE	SIG
Revision Table				
Third Angle Projection Do Not Scale Drawing		© Copyright Humes Pipeline Systems Ltd		
Humes Pipeline Systems Ltd				
		Private Bag 12 285 Penrose, Auckland, 1642 Ph: + (64) 9 571 3900 Fx: + (64) 9 571 3901 www.humes.co.nz		
Title:				
Manhole Safety Grilles JB Spigotted Safety Grille 500 316SS				
Roger Curl Design Ltd MECHANICAL DESIGN SERVICE 115A STREDWICK DRIVE TORBAY AUCKLAND. Ph/Fx: 09 473 0018 Email: curley@xtra.co.nz		Drawn: <i>R Curl</i> Checked:	Date: 21st Dec 2011 Approved:	
		Scale: 1:2 Sheet Size: A2	Dwg No: SHEET 1 OF 3 48507/1	




SECTION A-A

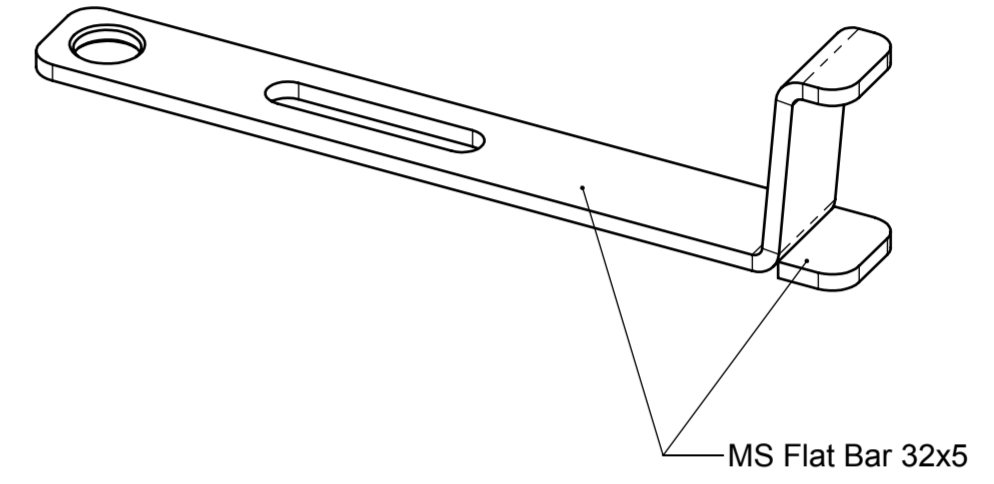
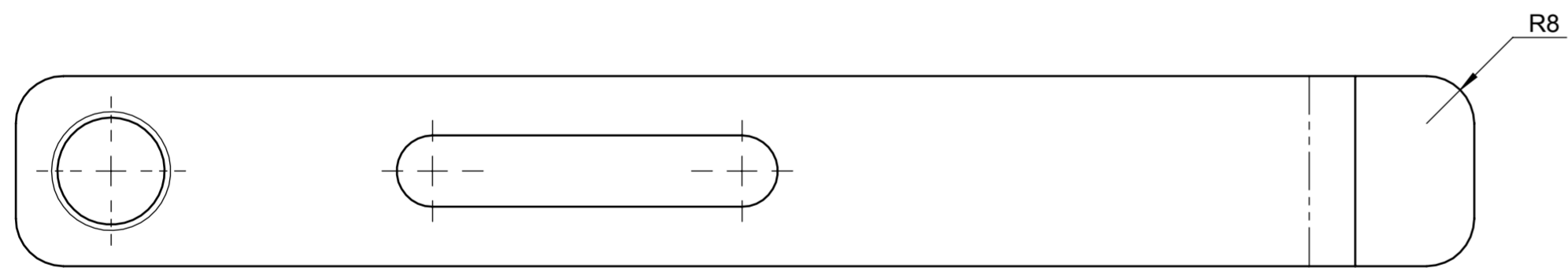
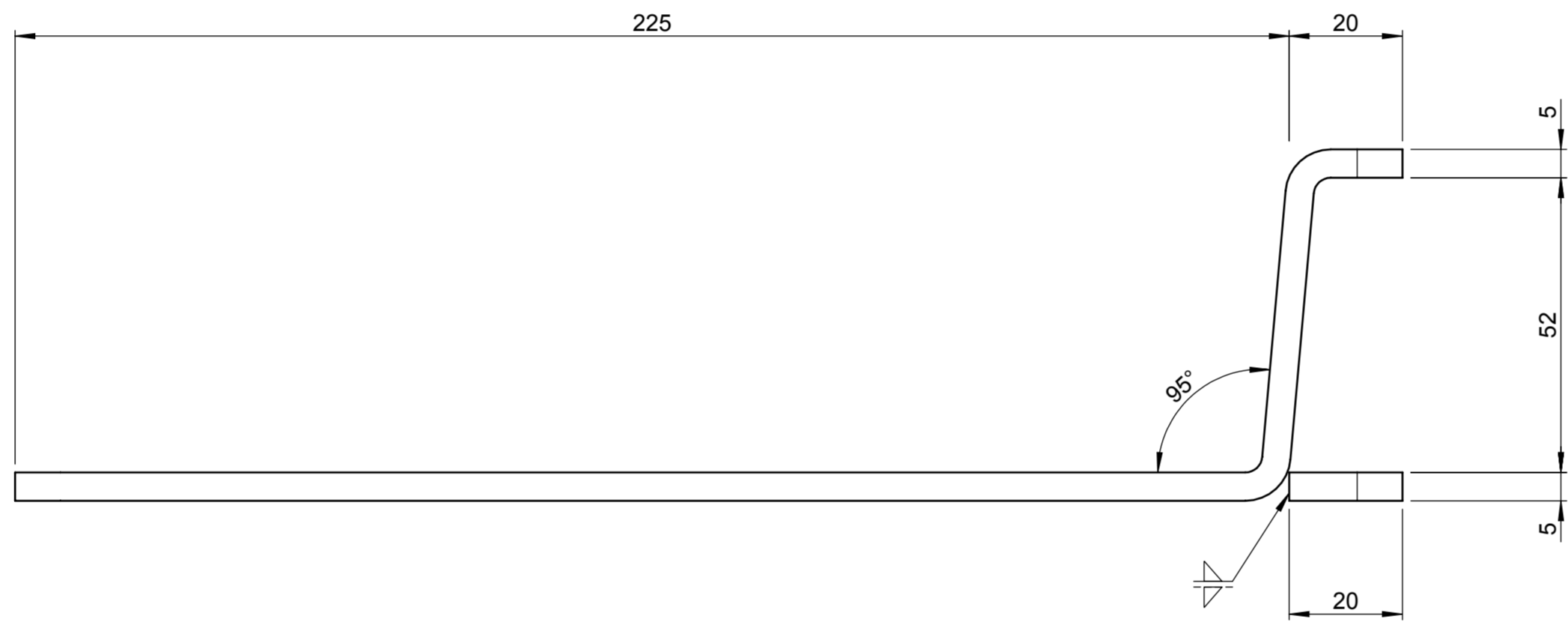
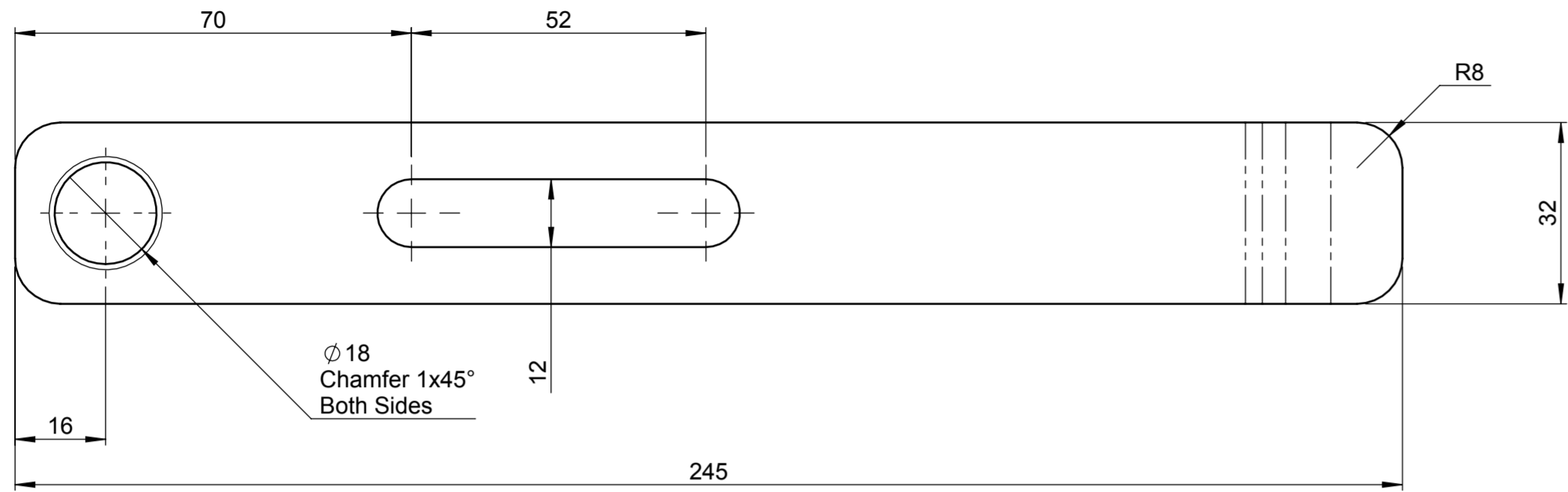


SECTION B-B

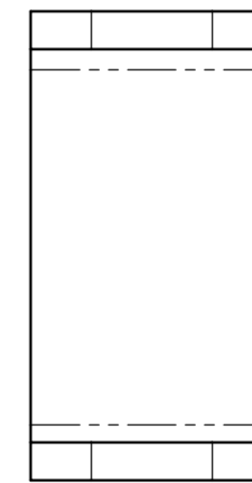


Notes:
 Remove all burrs and sharp edges
 Material: Noted
 Finish: Natural

REV.	DESCRIPTION	ECN	DATE	SIG
Revision Table				
Third Angle Projection Do Not Scale Drawing		© Copyright Humes Pipeline Systems Ltd		
Humes Pipeline Systems Ltd				
 Private Bag 12 285 Penrose, Auckland, 1642 Ph: + (64) 9 571 3900 Fx: + (64) 9 571 3901 www.humes.co.nz				
Title: Manhole Safety Grilles JB Spigotted Safety Grille 500 316SS				
Roger Curl Design Ltd MECHANICAL DESIGN SERVICE 115A STREDWICK DRIVE TORBAY AUCKLAND. Ph/Fx: 09 473 0018 Email: curley@xtra.co.nz		Drawn: <i>R. Curl</i> Checked: _____ Scale: 1:2 Sheet Size: A2	Date: 21st Dec 2011 Approved: _____ Drg No: SHEET 2 OF 3 48507/2	



Slide-MS Spigotted



Notes:
 Remove all burrs and sharp edges
 Material: Noted
 Finish: Natural

REV.	DESCRIPTION	ECN	DATE	SIG
Revision Table				
Third Angle Projection Do Not Scale Drawing		© Copyright Humes Pipeline Systems Ltd		
Humes Pipeline Systems Ltd				
		Private Bag 12 285 Penrose, Auckland, 1642 Ph: + (64) 9 571 3900 Fx: + (64) 9 571 3901 www.humes.co.nz		
Title: Manhole Safety Grilles JB Spigotted Safety Grille 500 316SS				
Roger Curl Design Ltd MECHANICAL DESIGN SERVICE 115A STREDWICK DRIVE TORBAY AUCKLAND. Ph/Fx: 09 473 0018 Email: curley@xtra.co.nz		Drawn: <i>R Curl</i> Checked:	Date: 21st Dec 2011 Approved:	
Scale: 1:1 Sheet Size: A2		Drg No: SHEET 3 OF 3 48507/3		